

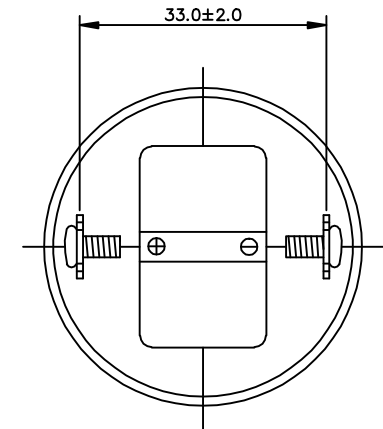
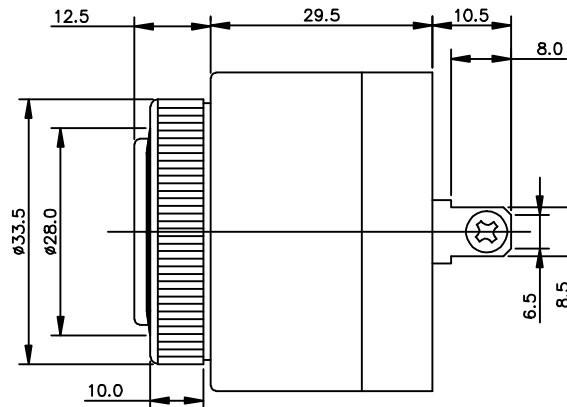
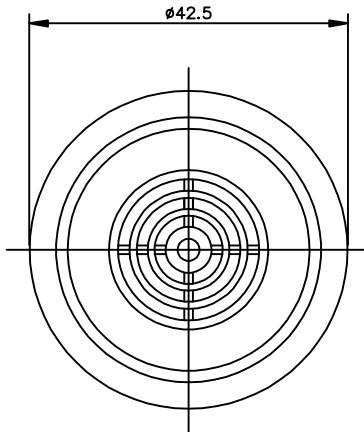
THIS DOCUMENT CONTAINS DATA PROPRIETARY TO PROJECTS UNLIMITED, INC. ANY USE OR REPRODUCTION, IN ANY FORM, WITHOUT PRIOR WRITTEN PERMISSION OF PROJECTS UNLIMITED, INC. IS PROHIBITED.  
© 2003, Projects Unlimited Inc.

### SPECIFICATIONS

PARAMETERS	VALUES	UNITS
RATED VOLTAGE	220	Vac
OPERATING VOLTAGE RANGE	60 ~ 250	Vdc/Vac
RATED CURRENT (MAX)	18	mA
MINIMUM SPL @ 10 cm.	94	dBa
RESONANT FREQUENCY	2,800±500	Hz
TONE OR PULSE RATE	SLOW PULSE	1.2 PULSE PER SECOND
OPERATING TEMPERATURE	-30 ~ +85	°C
STORAGE TEMPERATURE	-40 ~ +85	°C
HOUSING MATERIAL	NYLON	-
TERMINAL MATERIAL	Sn PLATED BRONZE	-
WEIGHT	63	grams

### REVISIONS

LTR	DESCRIPTION	DATE	APPROVED
-	RELEASED FROM ENGINEERING	7/10/06	



#### NOTES:

1. ALL DIMENSIONS ARE IN MILLIMETERS.
2. SPECIFICATION SUBJECT TO CHANGE OR WITHDRAWAL WITHOUT NOTICE.
3. THIS PART IS RoHS 2002/95/EC COMPLIANT.

UNLESS OTHERWISE SPECIFIED:  
DIMENSIONS ARE IN MILLIMETERS. TOLERANCES ARE ±0.5 AND ANGLES ARE ±3°.

APPROVALS	DATE
DRAWN <i>J.D.</i>	7/06
CHECKED <i>E.P.</i>	7/06
APPROVED <i>B.R.</i>	7/06



Dayton, Ohio

## INDICATOR

SIZE  
A

DRAWING NO.  
AI-4228-P-SP250-R

THIS PART IS UL RECOGNIZED IN THE USA AND CANADA.

FILE NAME  
AI-4228-P-SP250-R.DWG

DO NOT SCALE DRAWING

SCALE: N.T.S.

SHEET 1 OF 1